

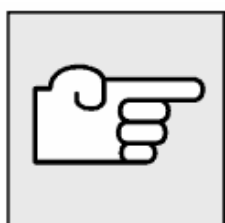
Remove door trim,
refer to 51 41 000.



Version with side airbag in front door:

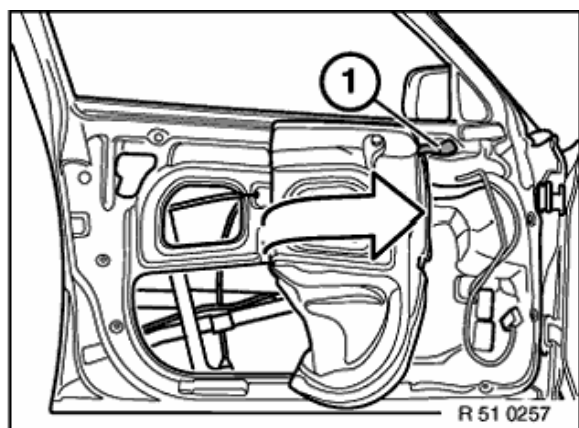
Caution!

Remove and install/replace airbag module on front left or right door,
refer to 72 12 010.



Note:

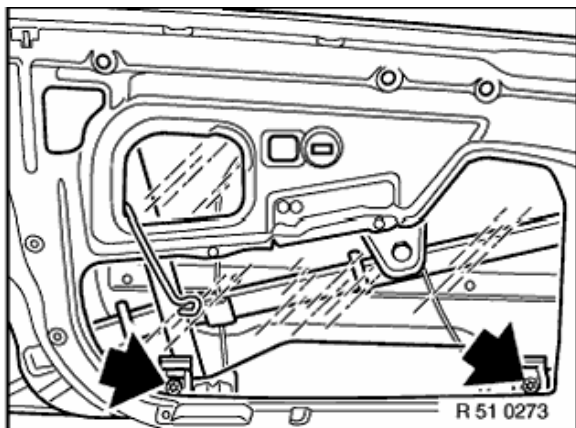
To release or partially detach sound insulation, follow procedure in "Removing and installing/replacing sound insulation on front left or right door",
refer to 51 48 ...



Detach sound insulation at rear until screws at bottom are accessible and secure with adhesive tape (1).

Push toggle switch for power window onto plug connector of door wiring harness.

Open door window at front.



Loosen bolts.

Close door window down to 10 mm.

Caution!

Disconnect toggle switch for power window plug connector on door wiring harness.



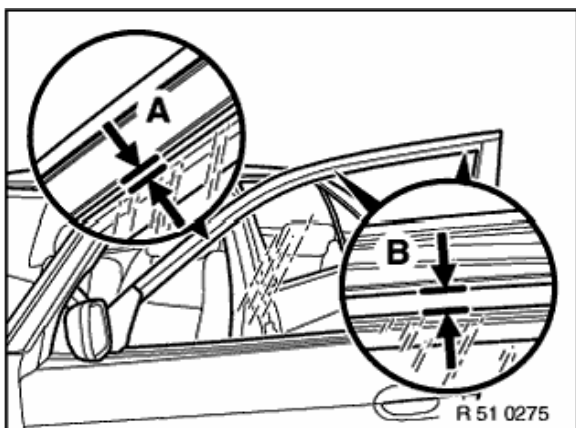
Installation:

Longitudinal setting:

Slide door window in open clamp jaws in longitudinal direction.

Height adjustment (parallelity):

Lift rear clamping jaw (door window must locate in lower jaws at this point) and tighten down screw. Tighten front clamping jaws (door window must abut on base of clamping jaws).



Installation:

Adjust gap dimension (A) (front edge of door window) and (B) (top edge of door window). Measured between edge of door window and finisher.

(A) = 5.4 mm

(B) = 10 mm

Tightening Torque,

refer to Technical Data 51 32 2AZ.