

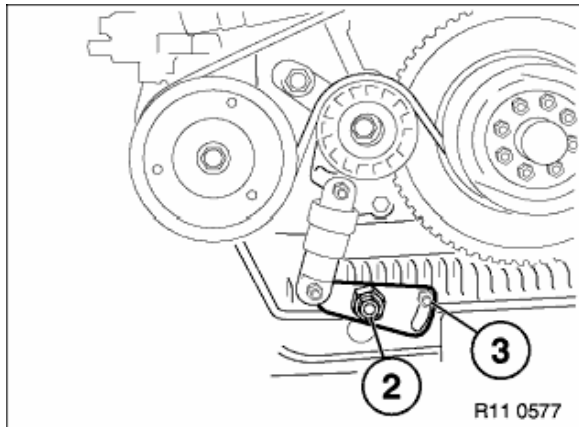
Note:

If the drive belt is to be reused, mark direction of travel and reinstall drive belt in same direction of rotation.

If necessary, remove splash guard.

Remove alternator drive belt,

refer to 11 28 010



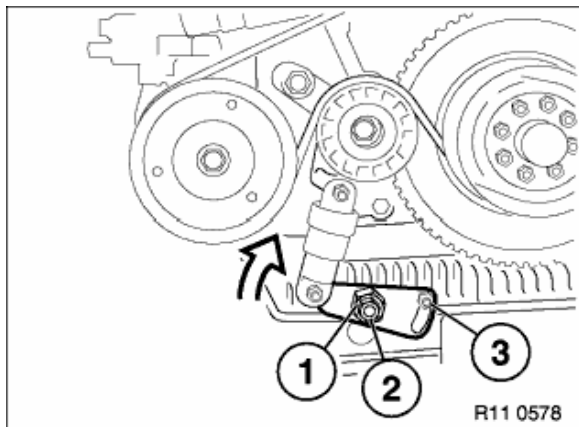
Loosen nuts (2 and 3) and remove compressor drive belt.

Installation:

Check drive belt for coolant and oil residue and replace if necessary.

Caution!

It is essential to replace drive belt if it comes into contact with hydraulic fluid.

**Installation:**

Fit drive belt and check it is correctly located on pulleys.

Tighten hex head (1) to remove adjustment plate up to end of long bore, then tighten nut (3) followed by nut (2).