

Drain off coolant and dispose of correctly.

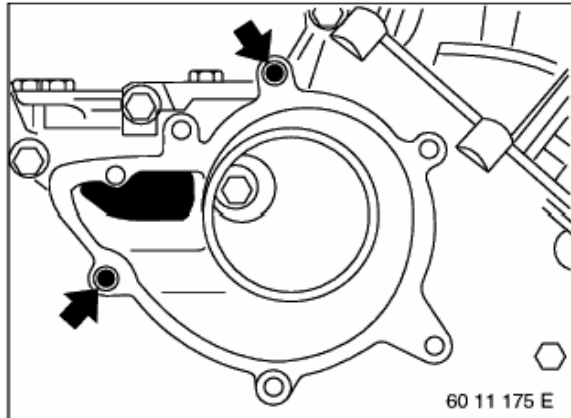
Installation:

Vent cooling system and check for leaks, refer to 17 00 005.

Remove vibration damper, refer to 11 23 010.

Remove thermostat housing, refer to 11 53 000.

- Remove pulley.
- Remove coolant hose.
- Unfasten screws.
- Remove water pump.



Installation:

Make sure that sleeves are correctly seated.

Clean sealing faces.

Replace seal.