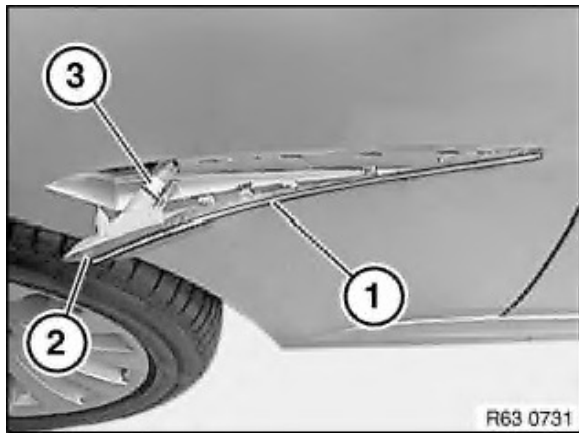
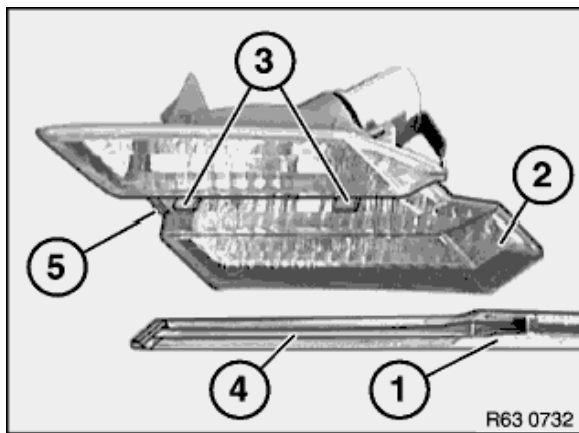


Slide front auxiliary turn signal lamp (1) with trim strip (2) towards rear and fold out in direction of arrow from front side panel (3).



Remove trim strip (1) from front auxiliary turn signal lamp (2). Unfasten plug connection (3) and disconnect. Remove front auxiliary turn signal lamp (2).



Installation:

Make sure trim strip (1) is correctly seated on front auxiliary turn signal lamp (2).

Fixtures (3), guide (4) and tab (5) must not be damaged.



Warning!

Follow instructions for handling light bulbs (exterior lights).

Replacement:

If necessary, convert bulb.