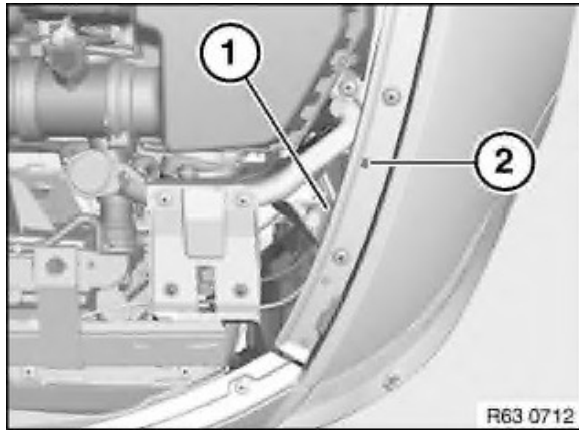


*Note:*

Comply with test preconditions for headlight adjustment.



Adjust headlights at adjusting screws (1) and (2).

A definite allocation of adjusting screws is not possible.

1. Adjustment screw primarily for vertical adjustment
2. Adjustment screw primarily for lateral adjustment