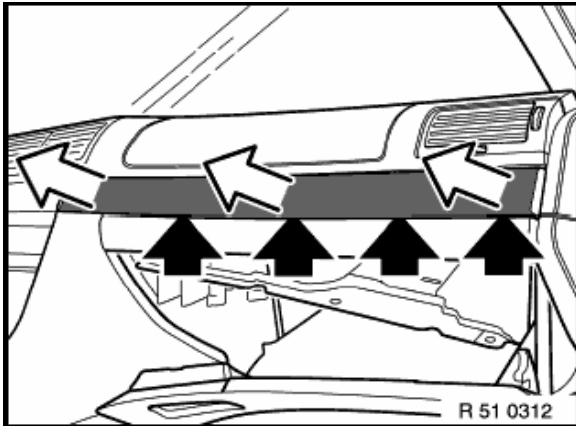
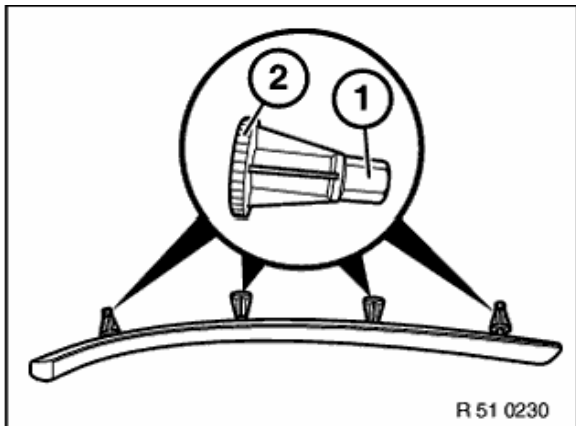


Release screws.

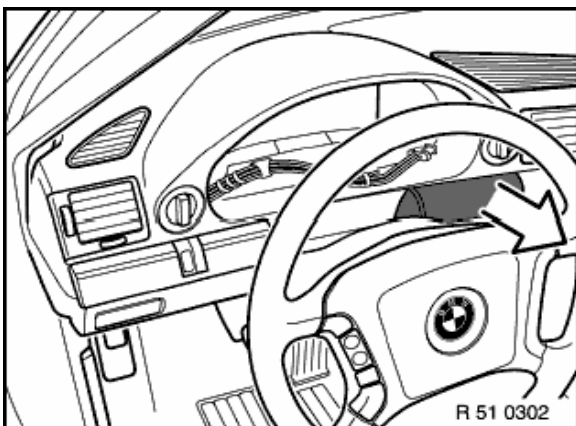


Release upper plastic nuts and remove wooden finisher.

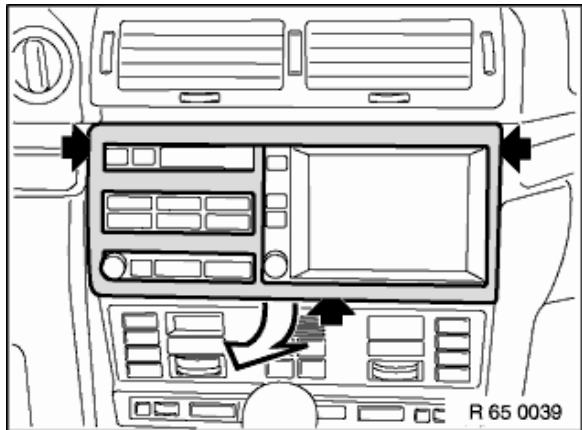


*Installation:*

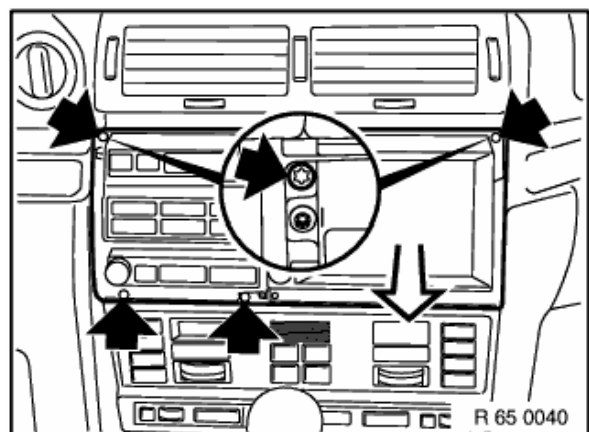
Fit outer plastic nuts with knurling (2) facing trim and inner plastic nuts with hexagon heads (1) facing trim (risk of damage to passenger airbag).



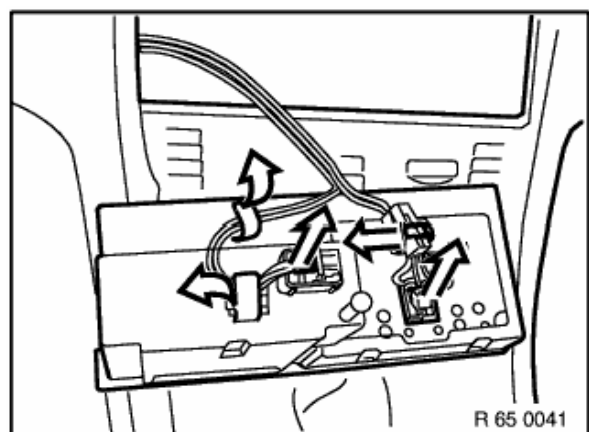
Remove top left wooden finisher by pulling upwards.



Remove screws and take off plate.



Unfasten screws and pull on-board monitor forwards to remove.



Remove plug and unfasten wiring harness from clips.