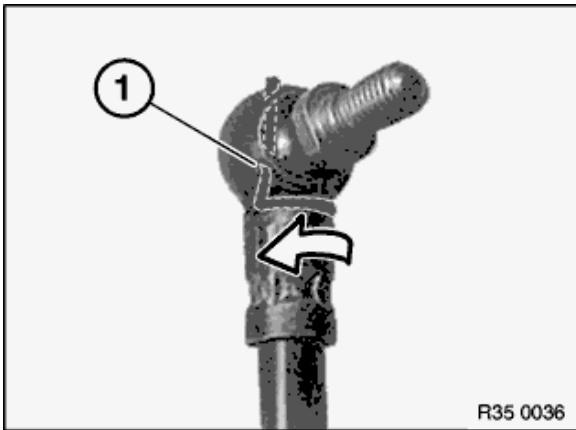
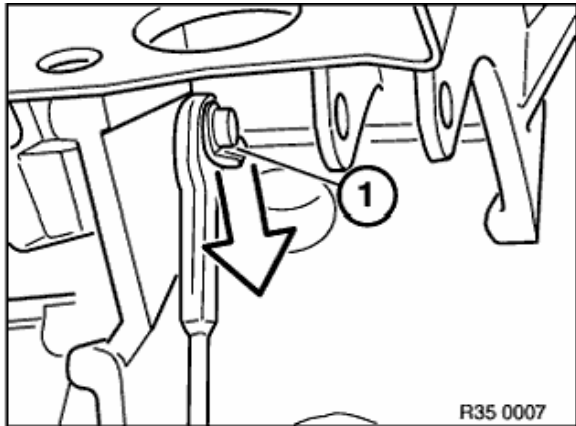


**Note:**

For better visibility work is illustrated with pedals removed.

Remove lower left trim section.

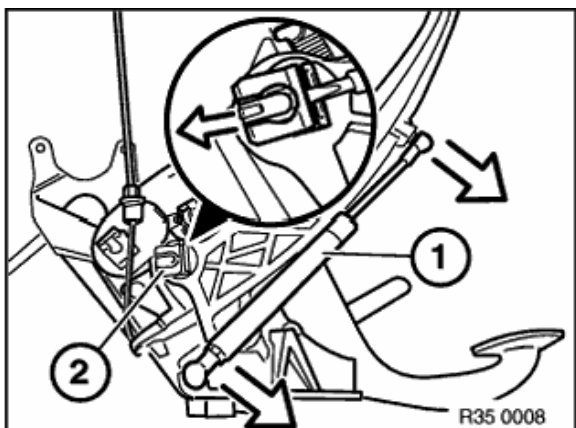
Remove retainer (1) and disconnect Bowden cable.



If necessary, open retaining pin (1) on both ball heads and pull off.

**Installation:**

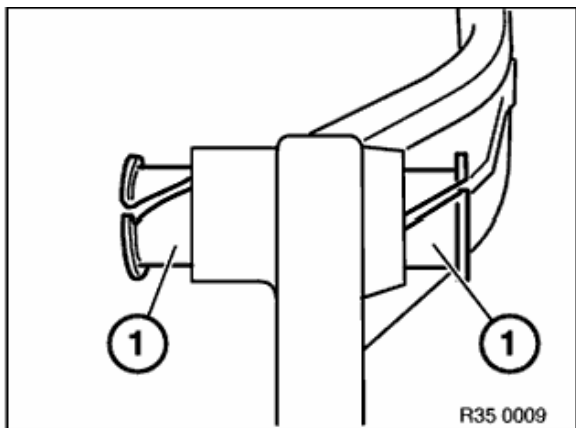
Replace retaining pin (1).



Lever out gas strut (1).

Remove retainer (2).

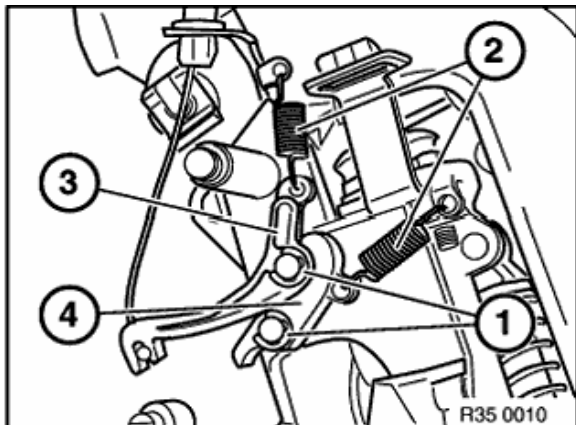
Remove parking brake pedal.



**Installation:**

Check bearing bush (1) and replace if necessary.

Coat anti-friction faces with grease, refer to BMW Service Operating Fluids.



Arrangement of interlock:

1. Circlip
2. Recoil spring
3. Release lever
4. Detent